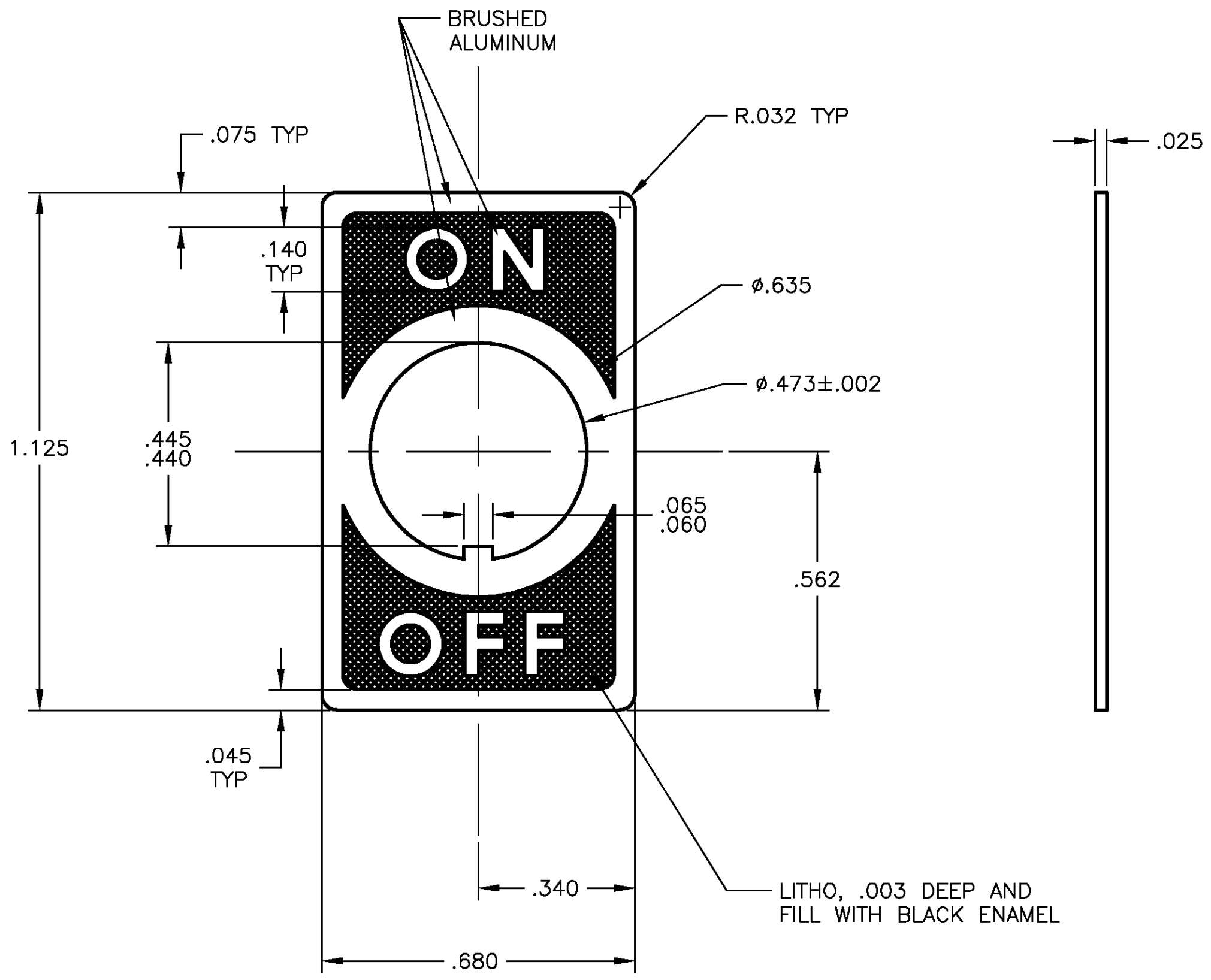
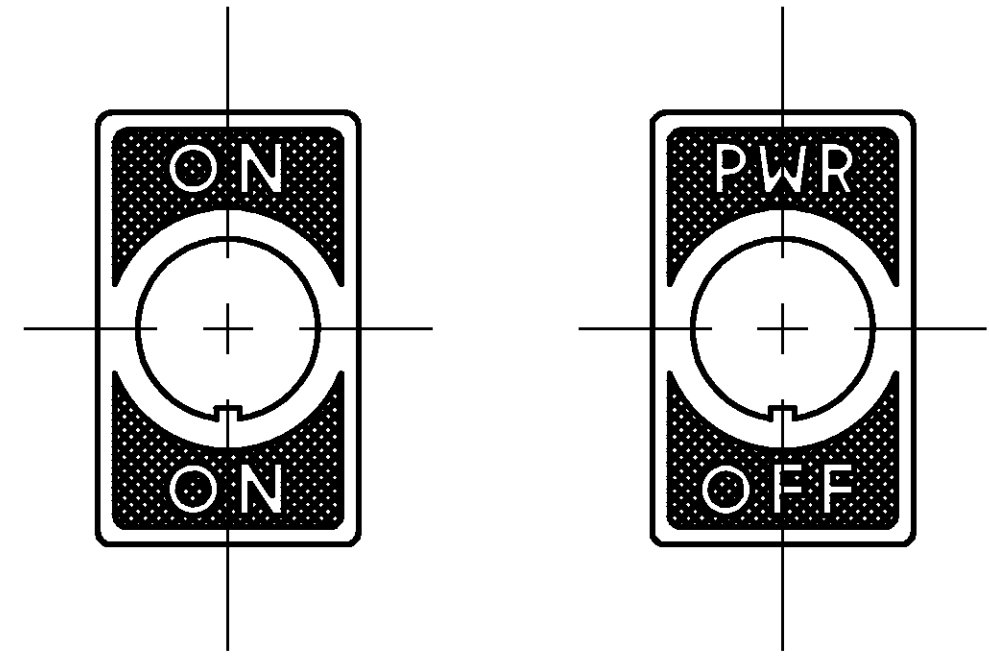


THIS DRAWING IS UNPUBLISHED. RELEASED FOR PUBLICATION
 © COPYRIGHT BY TYCO ELECTRONICS CORPORATION. ALL RIGHTS RESERVED.

| LDC | | DIST | | REVISIONS | | | |
|-----|-----|----------------------|--|-----------|-----|------|--|
| P | LTR | DESCRIPTION | | DATE | DWN | APVD | |
| | A | REV PER OG3C-0242-02 | | 19NOV02 | RB | MZ | |



SPA-42



SCALE 2:1

| | |
|--------------|--------------|
| SPA-43 | 2-1437628-7 |
| SPA-42 | 2-1437628-6 |
| SPA-41 | 2-1437628-5 |
| ALCO PT. NO. | TYCO PT. NO. |

| | | | | | | |
|--|--------|--------|---------|---------------------------------|--|---------------|
| THIS DRAWING IS A CONTROLLED DOCUMENT. | | DWN | R BROWN | 19NOV02 | Tyco Electronics Corporation Harrisburg, PA | |
| DIMENSIONS: INCHES | | GHK | M ZITTO | 19NOV02 | | |
| TOLERANCES UNLESS OTHERWISE SPECIFIED: | | APVD | M ZITTO | 19NOV02 | | |
| 0 PLC ± - 1 PLC ± - 2 PLC ± - 3 PLC ± .005 4 PLC ± - ANGLES ± - | | NAME | | SWITCH PLATE SPA 41, 42 & 43 | | |
| MATERIAL | FINISH | WEIGHT | SIZE | CAGE CODE | DRAWING NO | RESTRICTED TO |
| | | | A2 | 00779 | C-2-1437628-5 | |
| CUSTOMER DRAWING | | | SCALE | 4:1 | SHEET | 1 OF 1 |

2-1437628-5